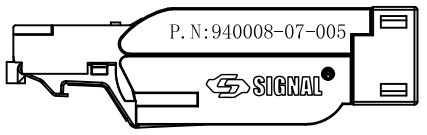
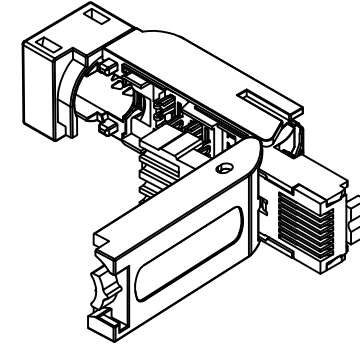
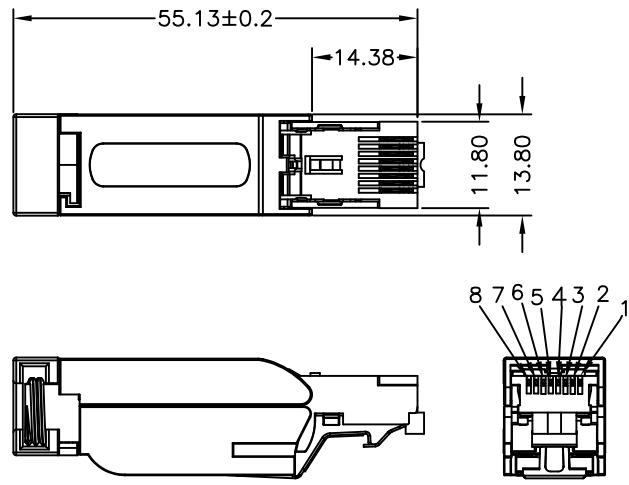


REV	DESCRIPTION	DATE	APPROVED
S0	CREATED DRAWING	2023/03/16	LY



Detailed Product Description:  
 Waterproof connector rating is IP20  
 They can not be used permanently under water  
 Per ISO-20653,IEC60529

Connector Electrical character:  
 Rating voltage: 50V AC/60V DC  
 Insulation resistance: >100MΩ  
 Rating current : 1.5A  
 Contact resistance of connector ≤50mΩ  
 Mechanical characteristics: mating / cycle ≥750 cycle  
 Operating temperature: -40°C ~ +80°C

\*ALL MATERIALS ARE RoHS COMPLIANT.

 Shenzhen Signal Electronics co.,Ltd		TITLE RJ45 8-CORE METAL MALE STRAIGHT CRIMP ASSEMBLY	
		SGN NO 940008-07-005	REV. SO
DRAWN BY	DATE	DWG NO	CUSTOMER
CHECKED BY	DATE		
CHECKED BY	DATE		
APPROVED BY	DATE	TOLERANCES ARE:	
<small>THE INFORMATION CONTAINED IN THIS DRAWING IS THE SOLE PROPERTY OF SIGNAL COMPANY. ANY REPRODUCTION IN PART OR WHOLE WITHOUT THE WRITTEN PERMISSION OF SIGNAL COMPANY IS PROHIBITED.</small>		DECIMALES .x ±0.50	ANGLES x.' ±2.0'
		.xx ±0.20	.x' ±1.0'
		THIRD ANGLE PROJECTION	
		SIZE: A4	UNITS: mm
		SCALE:	SHEET: 1 OF 1