

REV	DESCRIPTION	DATE	APPROVED
S0	CREATED DRAWING	2021/11/08	ZZJ
S1	CREATED DRAWING	2022/06/09	CYF

Detailed Product Description:  
Waterproof connector rating is IP67  
Per ISO-20653, IEC60529

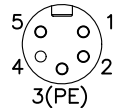
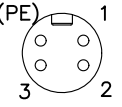
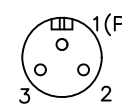
Connector Electrical character  
Rating voltage: SEE LIST  
Insulation resistance: >100MΩ  
Rating current: SEE LIST  
Contact resistance of connector <10mΩ  
Mechanical characteristics: mating/cycle >100 cycle  
Operating temperature: -25°C ~ +85°C

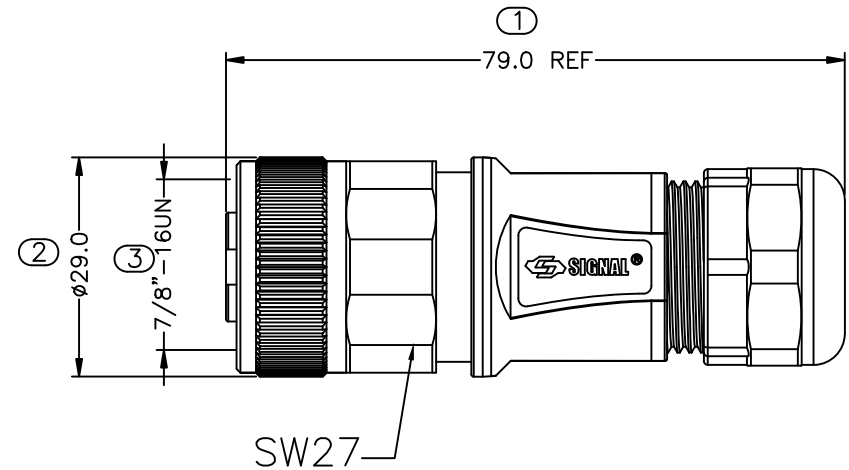
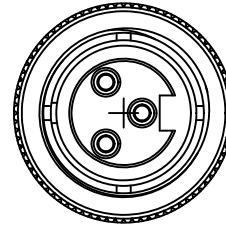
Other Specification  
Contact PIN: Brass copper with Gold plating  
Coupling nut/screw: Brass nickel plated  
Contact body material: TPU  
Insulation plastic: PA66+GF UL94 V-0


Conductor installation method: lock screw  
Torque : 0.8 Nm (7/8" plug-in connector) / 0.4 Nm (screw terminal)  
Cross-sectional area: MAX 1.5mm<sup>2</sup>  
1 Nm ... 1.4 Nm (fastening nut)

\*ALL MATERIALS ARE RoHS COMPLIANT

#### Electrical character

Part Number	Contacts	Rated voltage		Rated current	Cable OD (mm)
		A/C	D/C		
780005-02-006		300V	300V	9A	6.0~12.0
780004-02-004		300V	300V	9A	6.0~12.0
780003-02-004		300V	300V	12A	6.0~12.0



 <b>SIGNAL</b> <sup>®</sup> Shenzhen Signal Electronics co.,Ltd		TITLE	
		7/8" *P/F ASSEMBLY CONNECTOR	
DRAWN BY		DATE	REV.
CHECKED BY		DATE	
CHECKED BY		DATE	S1
APPROVED BY		DATE	
<small>THE INFORMATION CONTAINED IN THIS DRAWING IS THE SOLE PROPERTY OF SIGNAL COMPANY. ANY REPRODUCTION IN PART OR WHOLE WITHOUT THE WRITTEN PERMISSION OF SIGNAL COMPANY IS PROHIBITED.</small>		TOLERANCES ARE:	THIRD ANGLE PROJECTION
.x ±0.5	.x' ±1.0'	DECIMALES	ANGLES
.xx ±0.2	.x' ±0.5'	SCALE:	UNITS: mm
			SHEET: 1 OF 1