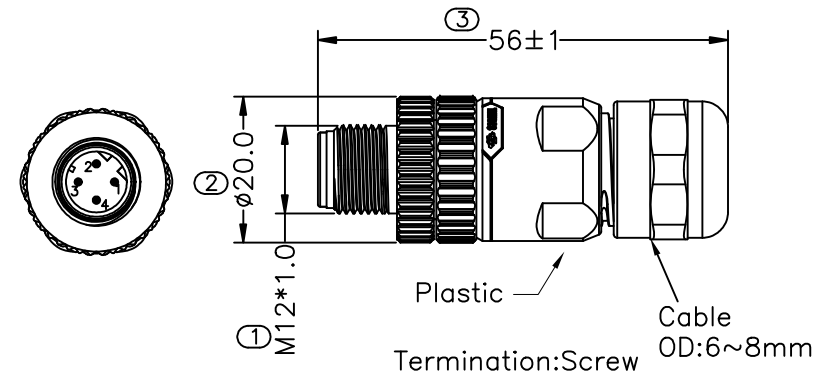
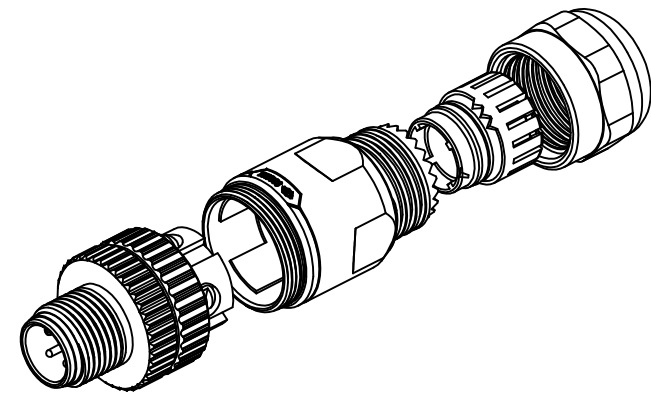


REV	DESCRIPTION	DATE	APPROVED
S0	CREATED DRAWING	2020/09/23	ZHG

Electrical character

Rated voltage	250V
Rated current	4A
Mechanical characteristics (mating cycle)	>100
Degree of protection (ISO-20653,IEC60529)	IP67
Operating temperature (depending on cable quality)	-25°C ~ +85°C
Destructive withstand force between connector and overmold exceeds	**kgf
Tightening torque (range)	0.4~1.8Nm
Pollution degree	3
*ALL MATERIALS ARE RoHS COMPLIANT*	



⑫	CN00426	Plastic clip-on blue SIGNAL LOGO	1	PCS
⑪	OR00012	O-RING GREEN FKM $\phi 7.00 \times 1.5\text{mm}$	1	PCS
⑩	OR00048	O-RING GREEN FKM $\phi 10.0 \times \phi 1.5\text{mm}$	1	PCS
⑨	OR00046	M12 GREEN FKM Tail Ring $\phi 11.8 \times 7.5\text{mm}$	1	PCS
⑧	WK00173	M12 Aluminium silver oxide male nut $\phi 20 \times 14.6\text{mm}$	1	PCS
⑦	NU00034	M2.5*0.45 M12 Assembly screw	4	PCS
⑥	CN00253	M12 Plastic assembled rear hexagon nut (PA66+GF)	1	PCS
⑤	CN00252	M12 Plastic assembled tail gripper (PA66)	1	PCS
④	CN00251	M12 Plastic assembled main body (PA66+GF)	1	PCS
③	CN00250	M12 Plastic retaining main nut (PA66+GF)	1	PCS
②	TE00224	$\phi 1.0$ Bull-needle brass gilding L=23.10mm	4	PCS
①	CN00325	M12 D CODING 4P/M Plastic Assembly core	1	PCS
ITEM	PART NO.	SPECIFICATION	Q'TY	UNIT

 Shenzhen Signal Electronics co.,Ltd		TITLE M12 assembly male connector (plastic)	
		SGN NO 120404-01-022	REV.
DRAWN BY		DATE	DWG NO SGNYD2009079-4
CHECKED BY		DATE	CUSTOMER
CHECKED BY		DATE	SO
APPROVED BY		DATE	TOLERANCES ARE:
<small>THE INFORMATION CONTAINED IN THIS DRAWING IS THE SOLE PROPERTY OF SIGNAL COMPANY. ANY REPRODUCTION IN PART OR WHOLE WITHOUT THE WRITTEN PERMISSION OF SIGNAL COMPANY IS PROHIBITED.</small>		DECIMALES	THIRD ANGLE PROJECTION
		ANGLES	SIZE: A4
.x $\pm 0.15$	x.' $\pm 1.0'$	UNITS: mm	
.xx $\pm 0.10$	.x' $\pm 0.5'$	SCALE:	
			SHEET: 1 OF 1