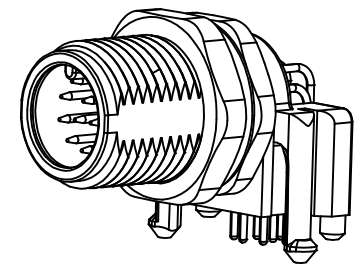
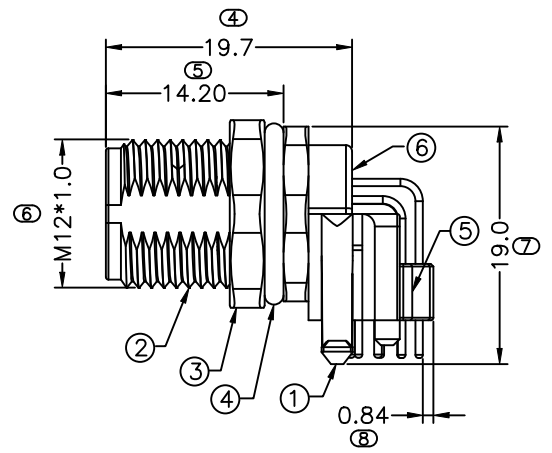
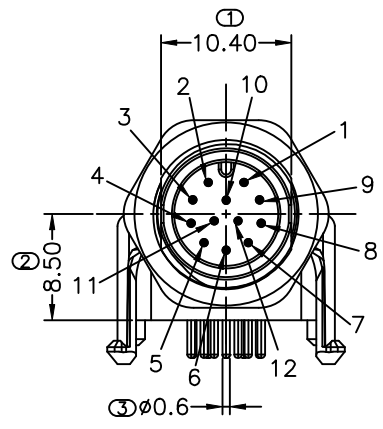
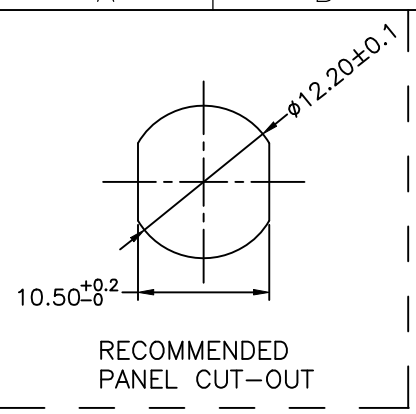


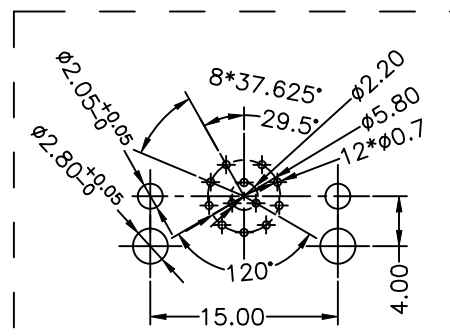
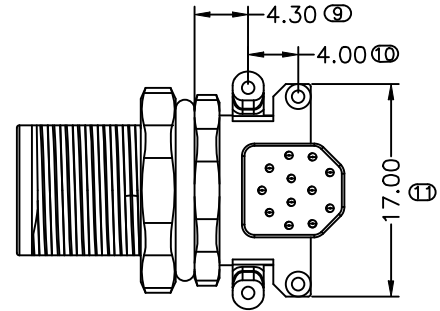
| REV | DESCRIPTION | DATE | APPROVED |
|-----|-----------------|------------|----------|
| S0 | CREATED DRAWING | 2019/06/03 | YMX |
| S1 | UPGRADE DRAWING | 2023/10/30 | XD |



DETAILED PRODUCT DESCRIPTION:
 WATERPROOF CONNECTOR RATING IS IP67
 THEY CAN NOT BE USED PERMANENTLY UNDER WATER
 PER ISO-20653, IEC60529

ELECTRICAL PROPERTIES AT +20°C
 RATING VOLTAGE: 30V AC/DC
 INSULATION RESISTANCE: >100MΩ
 RATING CURRENT: 1.5A
 CONTACT RESISTANCE OF CONNECTOR ≤10mΩ
 MECHANICAL CHARACTERISTICS: MATING CYCLE >100 CYCLES
 OPERATING TEMPERATURE: -25°C ~ +85°C
 ACCORDING TO IEC 61076-2-101

ALL MATERIALS ARE ROHS COMPLIANT



RECOMMENDED PCB LAYOUT

| ⑥ | GL00002 | BLACK GLUE A/B (ETHOXYLINE RESIN) | 2 | g |
|------|----------|--|------|------|
| ⑤ | N/A | BLACK NYLON SUPPORT | 1 | PCS |
| ④ | OR00007 | O-RING BLACK SILICONE ∅10*1.5MM | 1 | PCS |
| ③ | NU00003 | M12 BRASS PLATING NI NUT L*W=2.8*15MM | 1 | PCS |
| ② | WK00116 | M12 MALE SHELL BRASS PLATING NICKEL L=16.2mm | 1 | PCS |
| ① | N/A | M12 A CODING 12PIN MALE CONNECTOR (DIP) | 1 | SET |
| ITEM | PART NO. | SPECIFICATION | Q'TY | UNIT |

SIGNAL[®]
 Shenzhen Signal Electronics Co., LTD

| | |
|-------------|------|
| DRAWN BY | DATE |
| CHECKED BY | DATE |
| CHECKED BY | DATE |
| APPROVED BY | DATE |

THE INFORMATION CONTAINED IN THIS DRAWING IS THE SOLE PROPERTY OF SIGNAL COMPANY. ANY REPRODUCTION IN PART OR WHOLE WITHOUT THE WRITTEN PERMISSION OF SIGNAL COMPANY IS PROHIBITED.

| | |
|--|------------------------|
| TITLE M12 A 12P/M FRONT FASTENED MOUNT ANGEL DIP (M12) | |
| SGN NO 120112-03-016 | REV. |
| DWG NO SGNYD2310183 | S1 |
| CUSTOMER | |
| TOLERANCES ARE: | THIRD ANGLE PROJECTION |
| DECIMALES .x ±0.5 | ANGLES x' ±2.0' |
| .xx ±0.20 | .x' ±1.0' |
| SIZE: A4 | UNITS: mm |
| SCALE: | SHEET: 1 OF 1 |