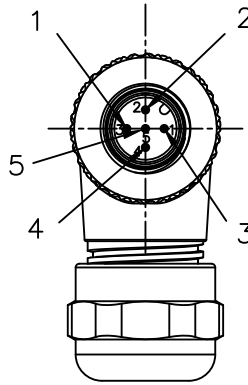


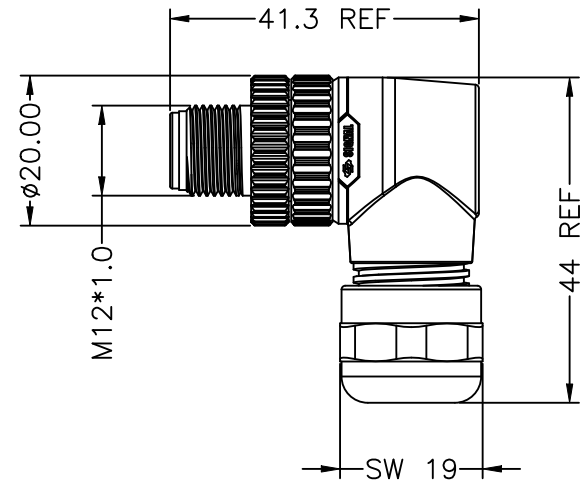
Detailed Product Description:  
 Waterproof connector rating is IP67  
 They can not be used permanently under water  
 Per ISO-20653,IEC60529

Mechanical characteristics: mating / cycle >100cycle  
 Operating temperature: -25°C ~ +85°C  
 Meets IEC 61076-2-101  $\triangle$ <sub>S1</sub>

\*ALL MATERIALS ARE RoHS COMPLIANT\*

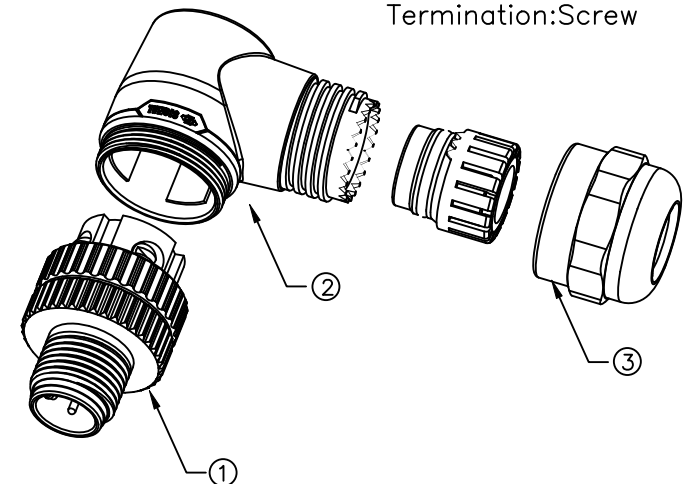


REV	DESCRIPTION	DATE	APPROVED
S0	CREATED DRAWING	2020/05/11	ZK
S1	ADD CONFORMITY CRITERIA	2024/04/19	CBT



Electrical character

Part Number	Contacts	Rated voltage		Rated current	Contact Resistance	Cable OD (mm)
		A/C	D/C			
120103-01-027		250V	250V	4A	10mΩ	6~8
120104-01-028		250V	250V	4A	10mΩ	6~8
120404-01-028		250V	250V	4A	10mΩ	6~8
120205-01-028		60V	60V	4A	10mΩ	6~8
120105-01-028		60V	60V	4A	10mΩ	6~8
120108-01-029		30V	30V	2A	10mΩ	6~8



③	N/A	M12 TAIL WATERPROOF PARTS	1	SET
②	N/A	M12 ASSEMBLY SHELL	1	SET
①	N/A	M12 MALE CONNECTOR	1	SET
ITEM	PART NO.	SPECIFICATION	Q'TY	UNIT

**SIGNAL**<sup>®</sup>

Shenzhen Signal Electronics co.,Ltd

TITLE: M12 MALE CONNECTOR

SGN NO: SGNYD2302022

REV: S0

DRAWN BY	DATE	DWG NO	REV.
CHECKED BY	DATE	CUSTOMER	S0
CHECKED BY	DATE	TOLERANCES ARE:	
APPROVED BY	DATE	DECIMALES	ANGLES
		.x ±0.50	x.' ±2.0'
		.xx ±0.20	.x' ±1.0'

THE INFORMATION CONTAINED IN THIS DRAWING IS THE SOLE PROPERTY OF SIGNAL COMPANY. ANY REPRODUCTION IN PART OR WHOLE WITHOUT THE WRITTEN PERMISSION OF SIGNAL COMPANY IS PROHIBITED.

THIRD ANGLE PROJECTION

SIZE: A4 UNITS: mm

SCALE: 1:1 SHEET: 1 OF 1