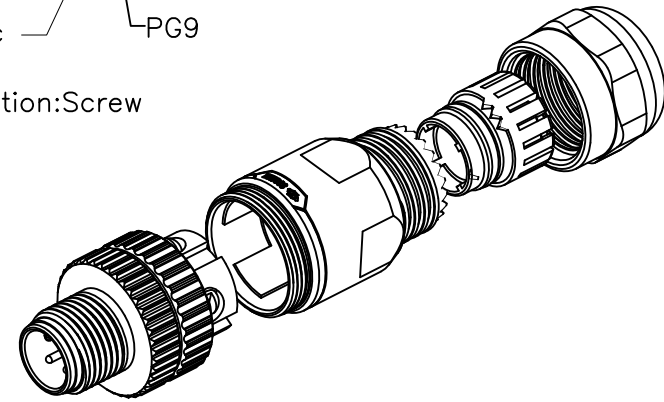
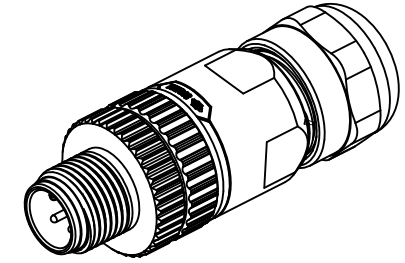
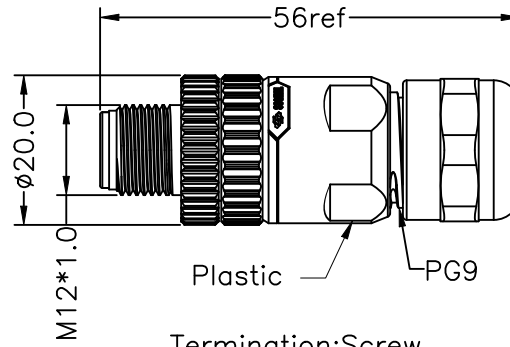
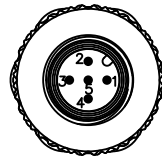


REV	DESCRIPTION	DATE	APPROVED
S0	CREATED DRAWING	2024/08/10	CBT

Electrical character

Rated voltage	250V	60V	30V
Rated current	4A	2A	
Mechanical characteristics (mating cycle)	>100		
Degree of protection (ISO-20653,IEC60529)	IP67		
Operating temperature (depending on cable quality)	-25°C ~ +85°C		
Destructive withstand force between connector and overmold exceeds	**kgf		
Tightening torque (range)	0.4~1.8Nm		
Pollution degree	3		
ALL MATERIALS ARE RoHS COMPLIANT			



Electrical character

Part Number	Contacts	Rated voltage		Rated current	Contact Resistance	Cable OD (mm)
		A/C	D/C			
120103-01-022		250V	250V	4A	10mΩ	3~8
120104-01-022		250V	250V	4A	10mΩ	3~8
120105-01-022		60V	60V	4A	10mΩ	3~8
120108-01-022		30V	30V	2A	10mΩ	3~8



Shenzhen Signal Electronics co.,Ltd

TITLE M12 ASSEMBLY MALE CONNECTOR (PLASTIC)

DRAWN BY	DATE
CHECKED BY	DATE
CHECKED BY	DATE
APPROVED BY	DATE

SGN NO	120103~08-01-022	REV.
DWG NO		
CUSTOMER		S0

THE INFORMATION CONTAINED IN THIS DRAWING IS THE SOLE PROPERTY OF SIGNAL COMPANY. ANY REPRODUCTION IN PART OR WHOLE WITHOUT THE WRITTEN PERMISSION OF SIGNAL COMPANY IS PROHIBITED.

TOLERANCES ARE:		THIRD ANGLE PROJECTION	
DECIMALES	ANGLES	SIZE: A4	UNITS: mm
.x ±0.50	x.' ±2.0'	SCALE: 1:1	SHEET: 1 OF 1
.xx ±0.20	.x' ±1.0'		